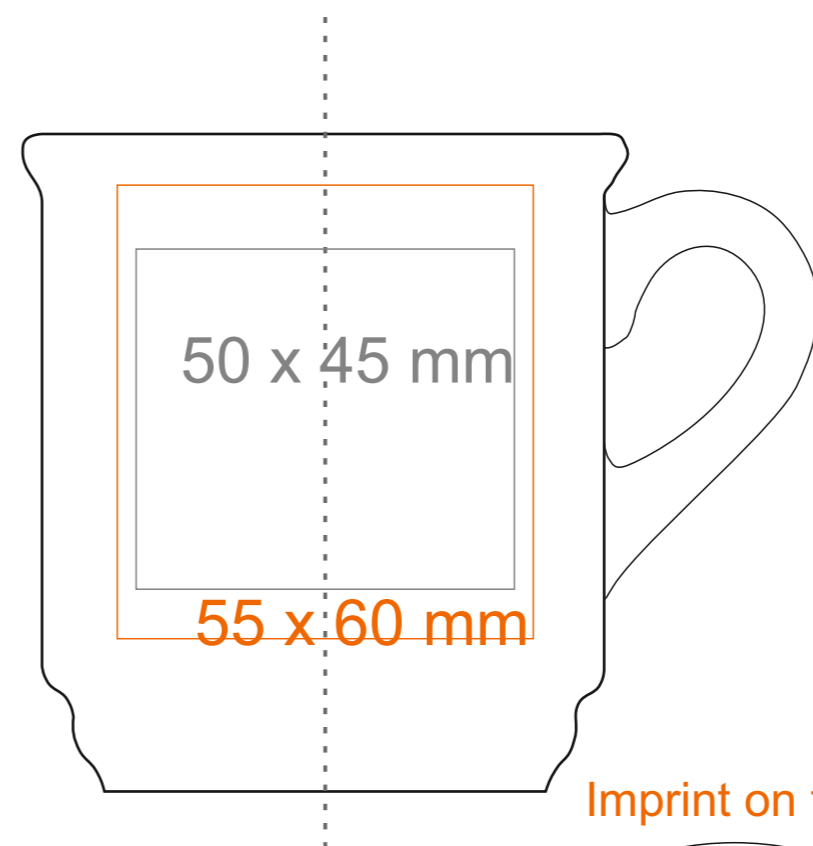
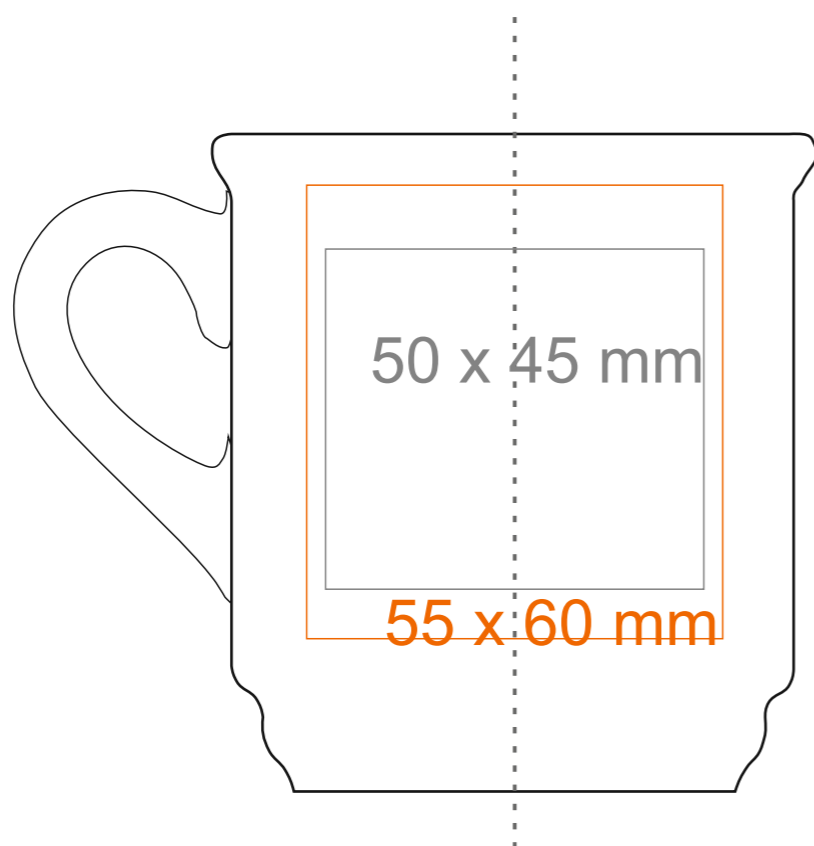
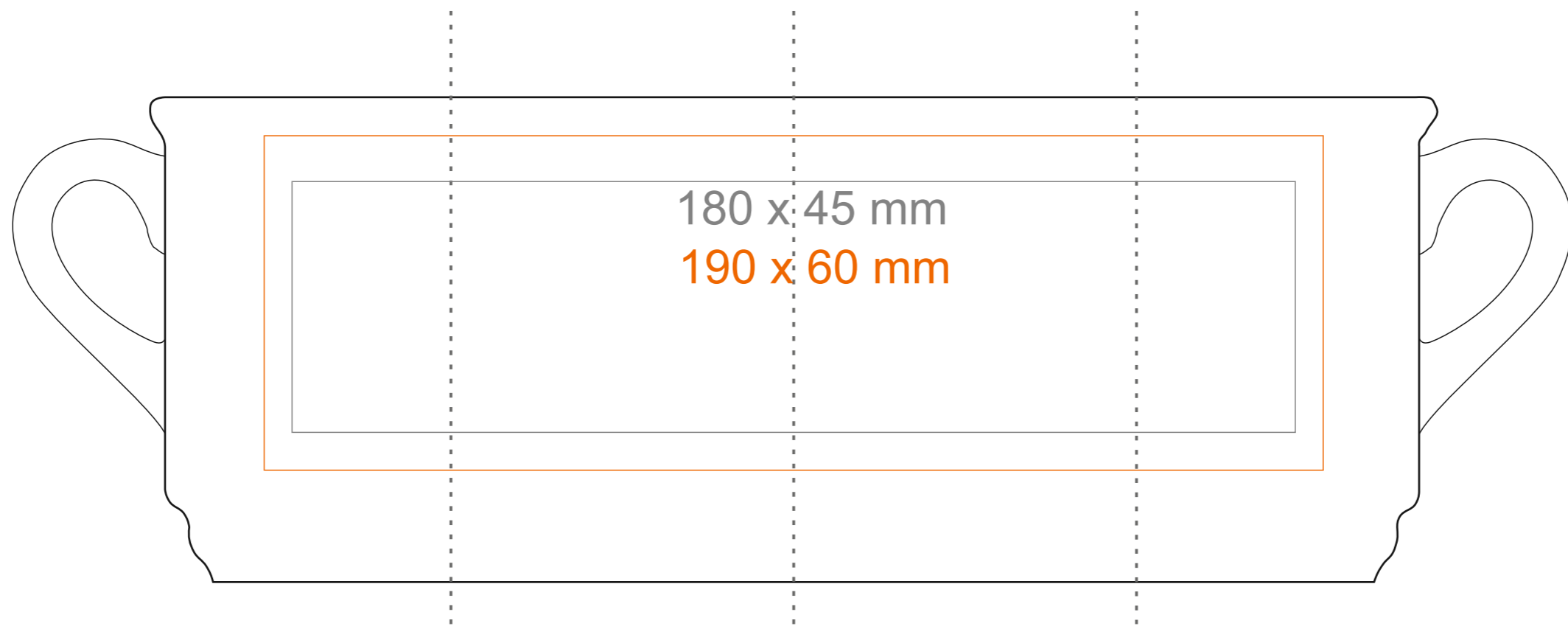
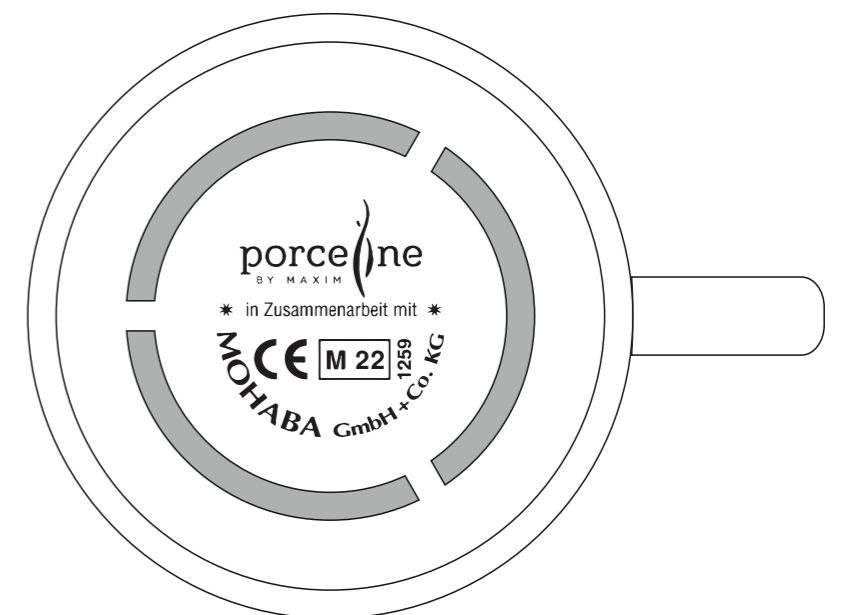


M_485 Claus Plus attribute 0,2l

220 ml / h: 87 mm / Ø 80mm



Imprint on the bottom outside



Imprint on the inside
Imprint on the bottom inside

- 40 x 20 mm
- Ø 30 mm

*In the case of projects for transfer print running outside of the standard print area, please contact our sales department.

[How to prepare print material](#)

meaning

- Transfer Print
- Sensitive Touch
- Direct Print